

Human movement analysis by means of wearable systems

Stefano Bertuletti

*Ph.D. student in **BioEngineering***

Supervisors: A. Cereatti and U. Della Croce



POLCOMING Department, University of Sassari, Italy

25th September 2017, CPS Summer School (Alghero, Italy)

Gait

step length

speed

swing time

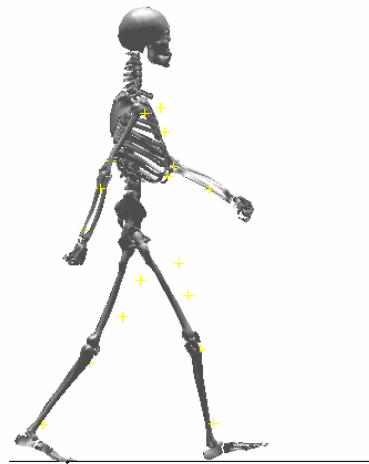
stride length

progression line

step time

stride time

foot angle



step time

cadence

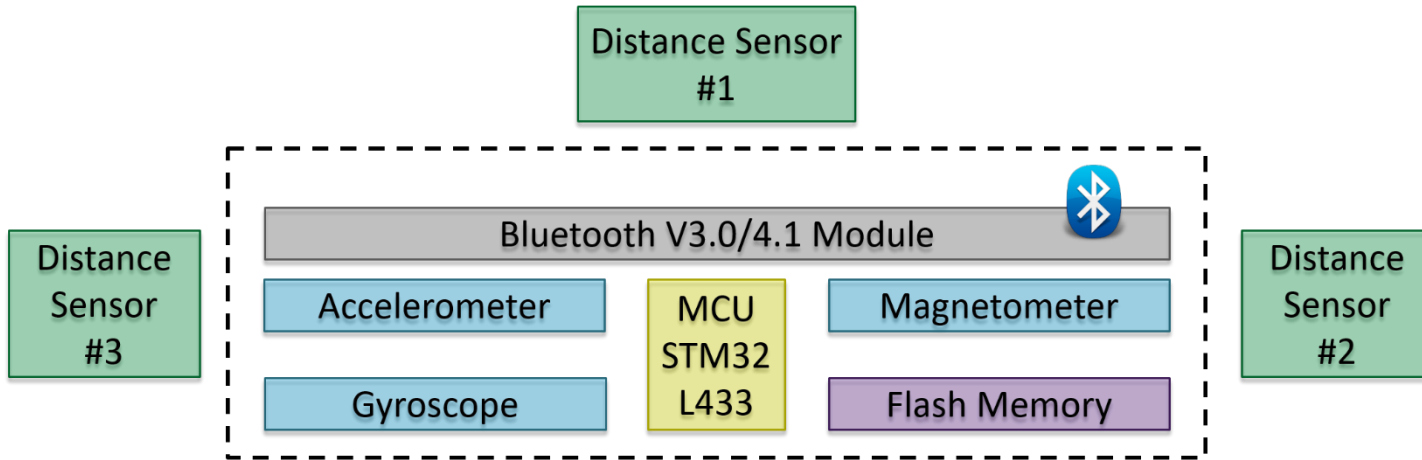
base of support

■ *Spatial parameter*

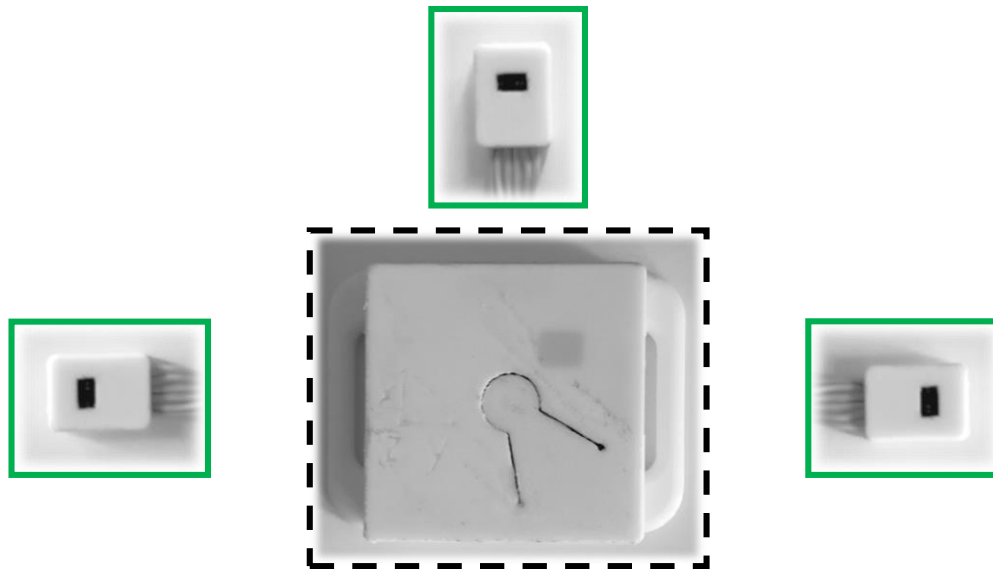
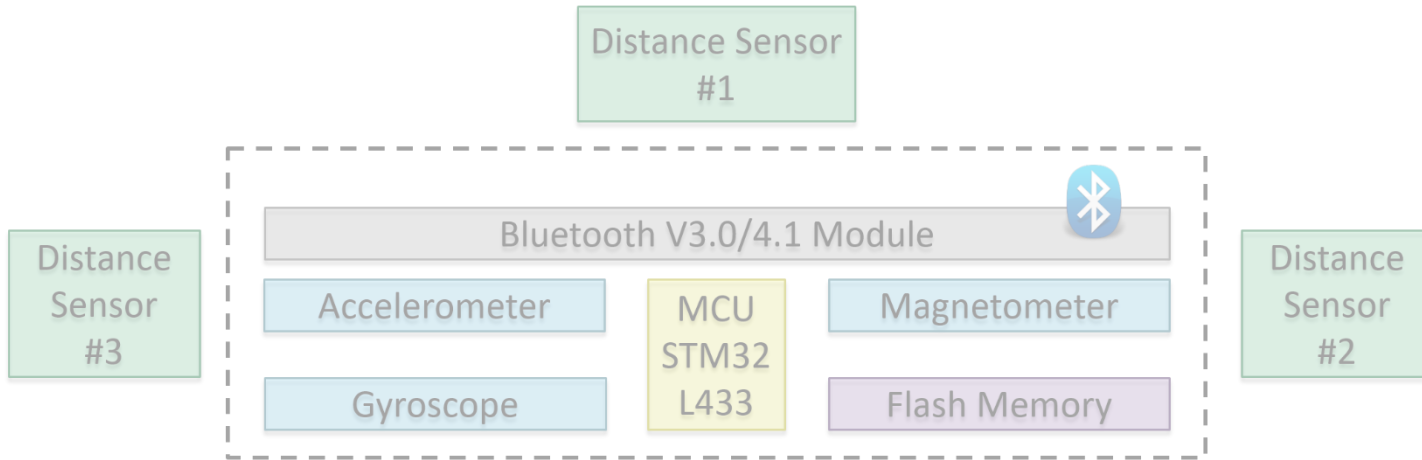
■ *Spatial/Temporal parameter*

■ *Temporal parameter*

Wearable system



Wearable system



patent filed in January 2017

Demo

