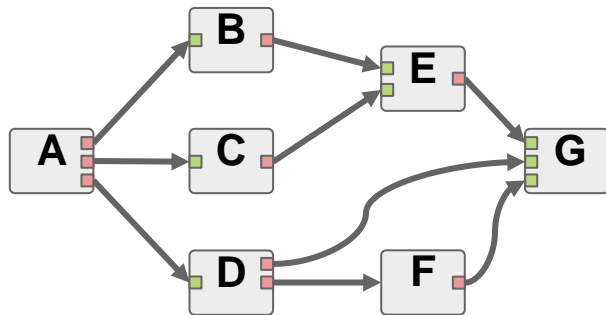


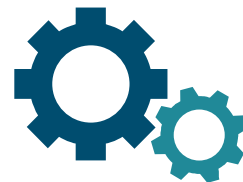


Supervisors: Daniel MENARD, Karol DESNOS (IETR), Eduardo JUAREZ UPM

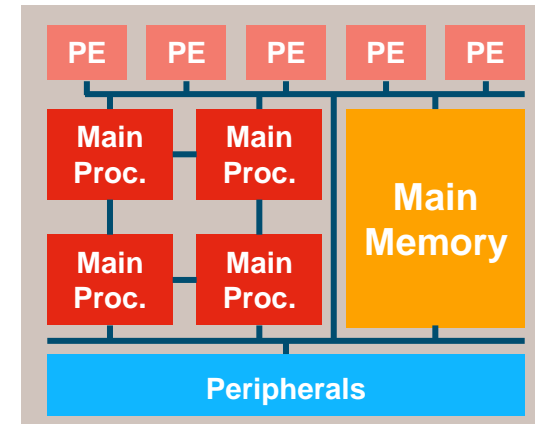
# Energy Optimization of Reconfigurable Applications based on Dataflow Models of Computation



Dataflow graphs



Runtime Manager



Target(s)